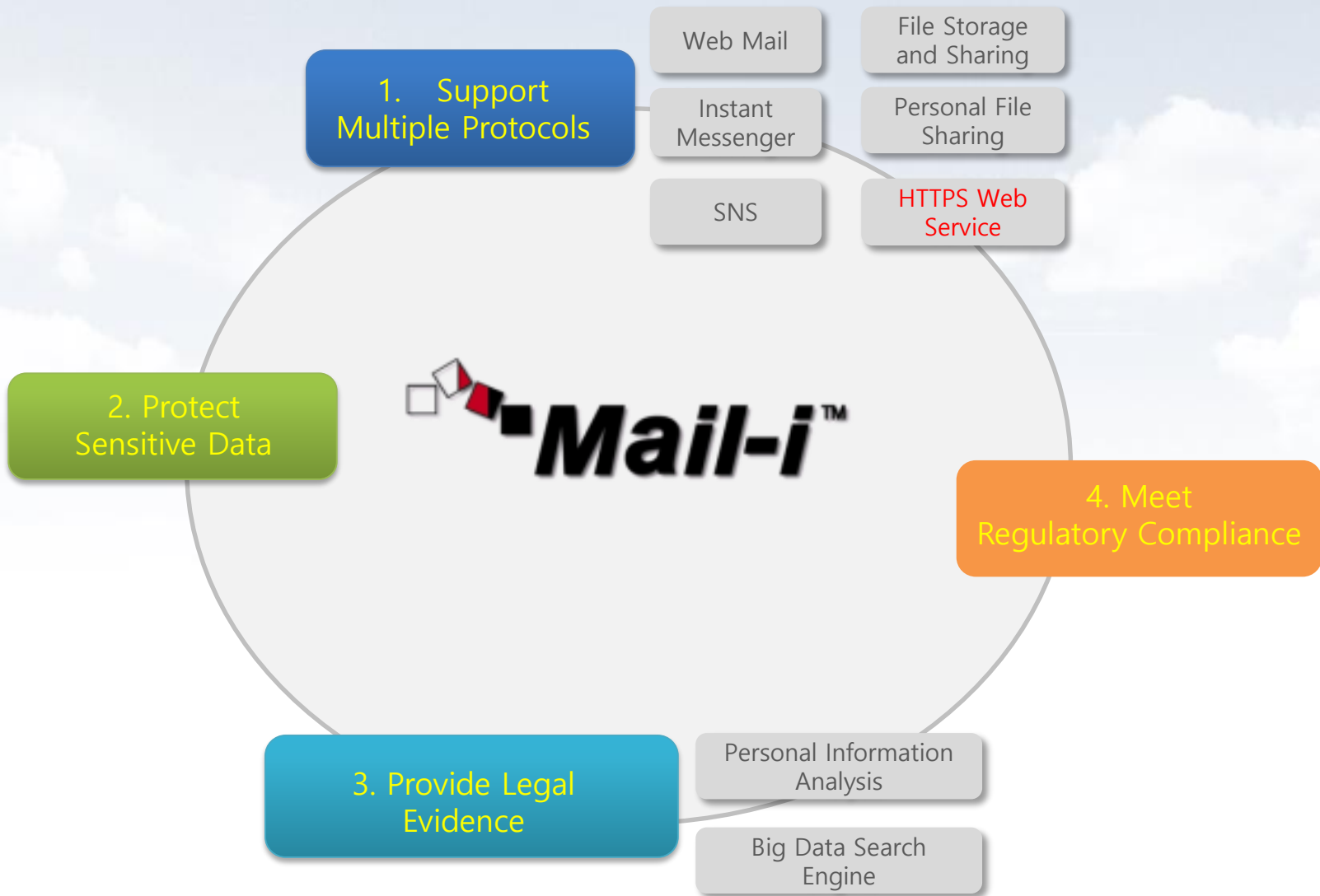




Data Loss Prevention



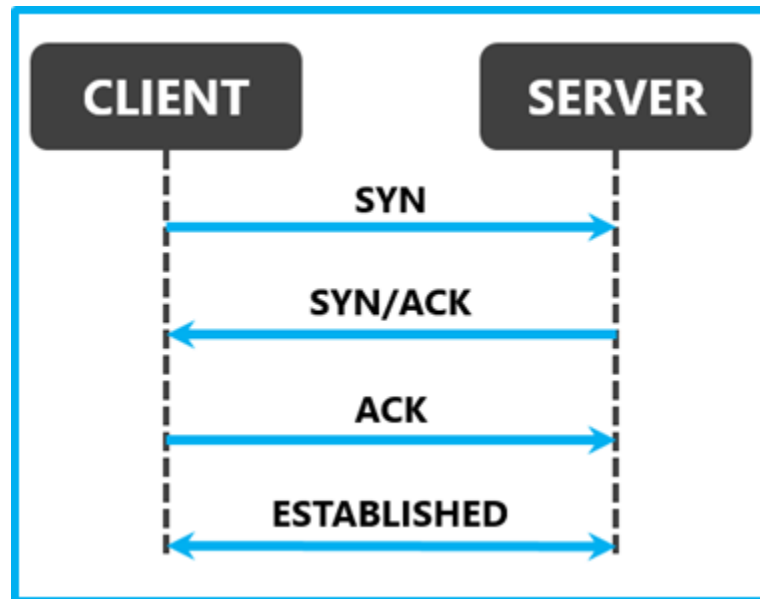
SOMANSA / The Mail-i



Simple Operating HTTP Communication



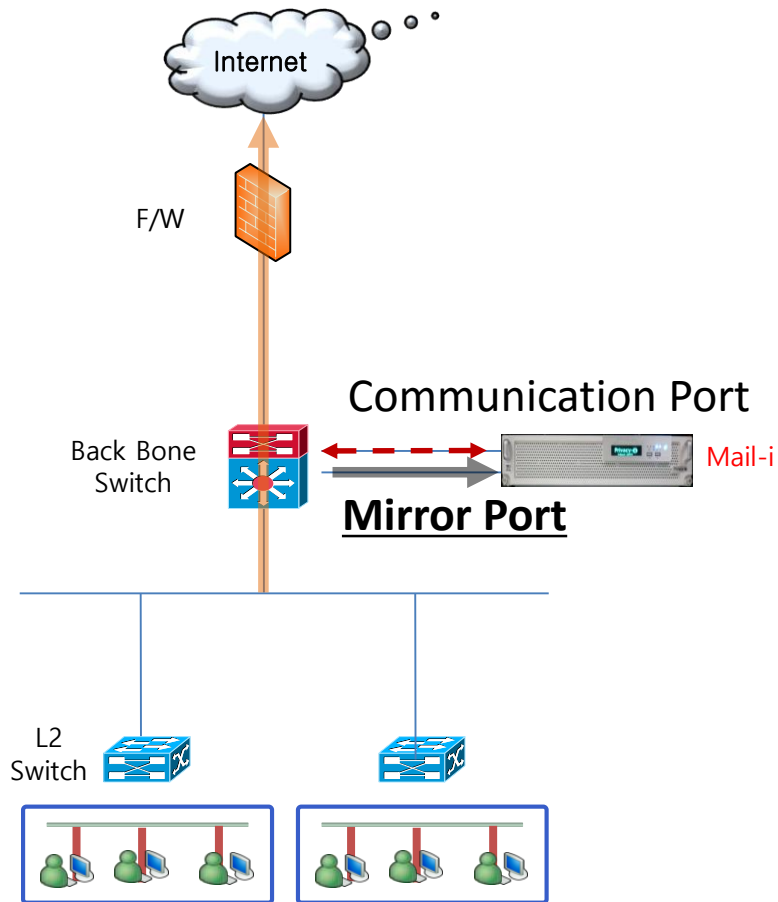
Http



SOMANSA / The Mail-i



Simple Operating Mail-i (HTTP)

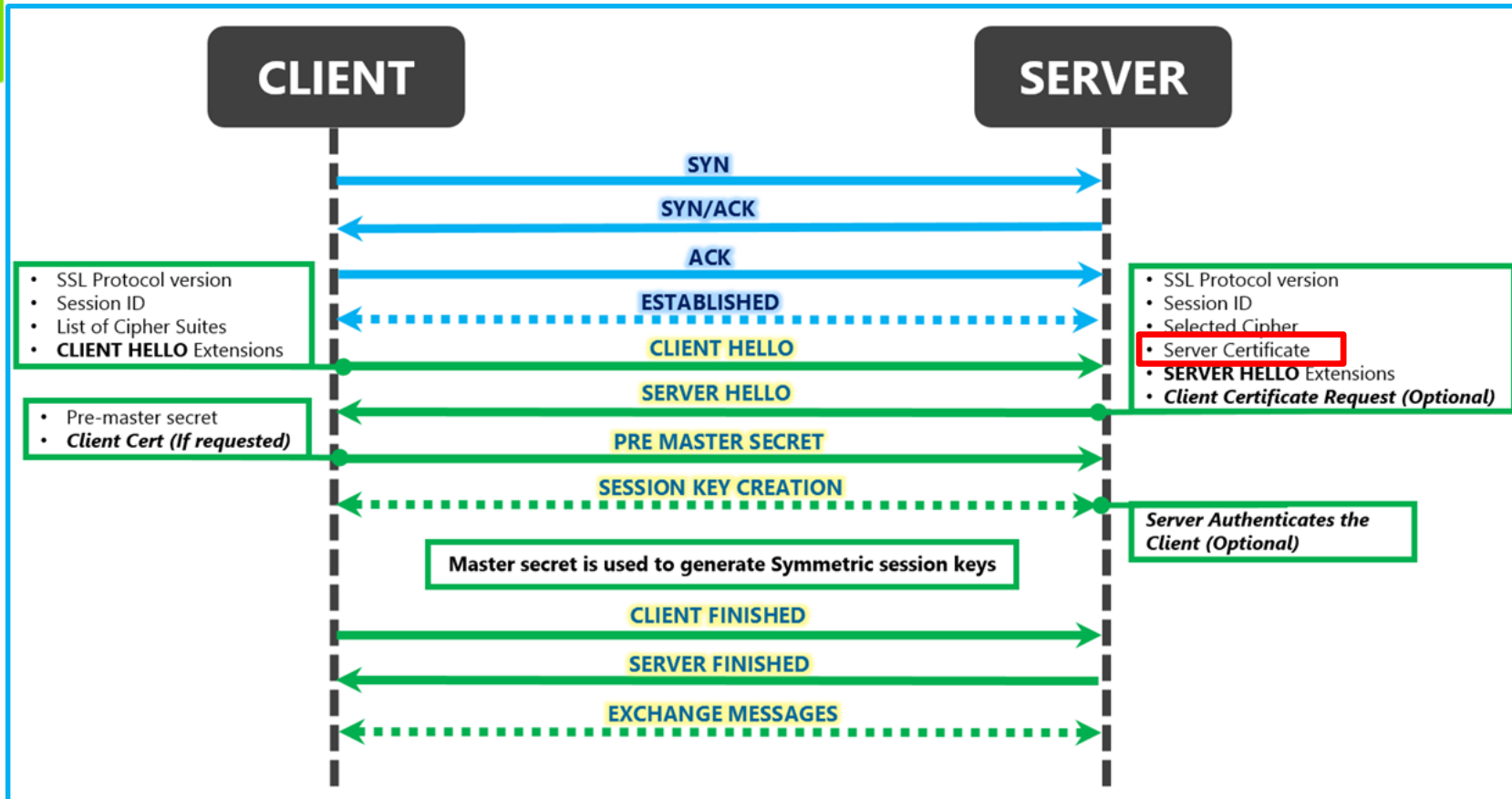


- It is simple to communicate with http.
- Obtain and process Mirror Packets on the backbone switch.
- As a result, there is no impact on the customer's network.

SOMANSA / The Mail-i



Simple Operating HTTPS Communication

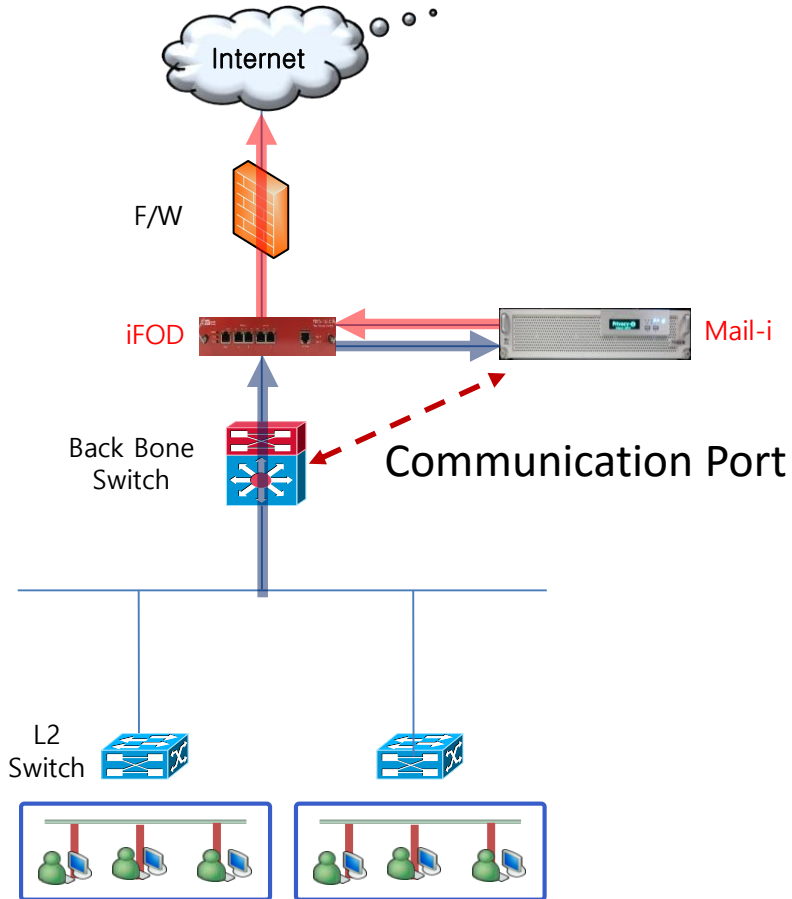


SOMANSA / The Mail-i

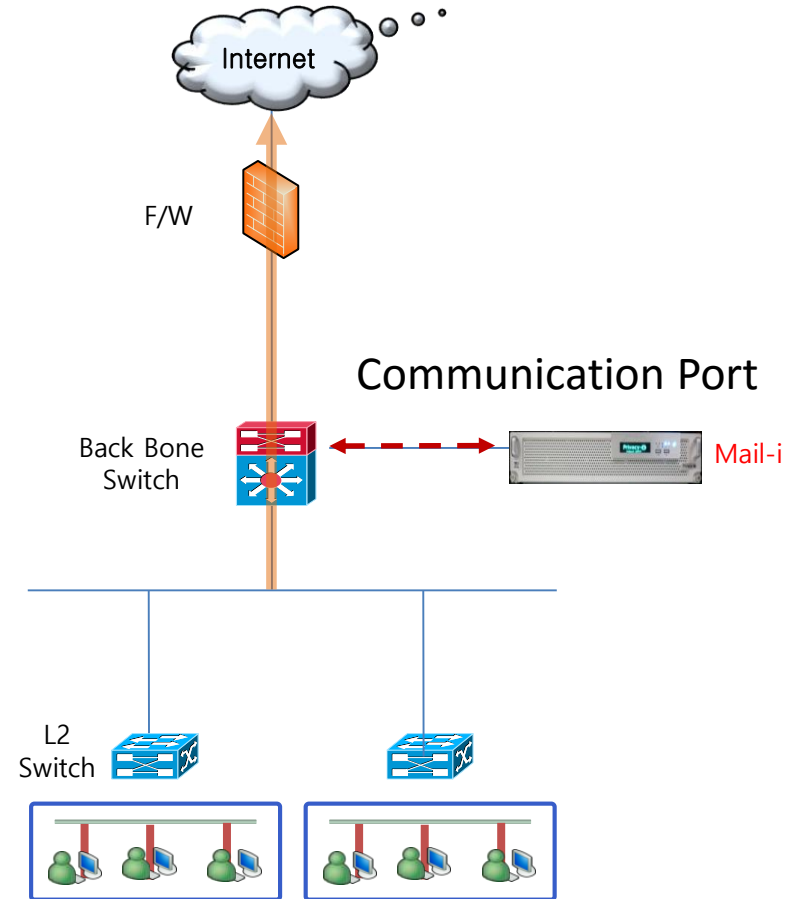


Simple Operating Mail-i (HTTPS)

Transparent Proxy (as Inline mode)



Explicit Proxy

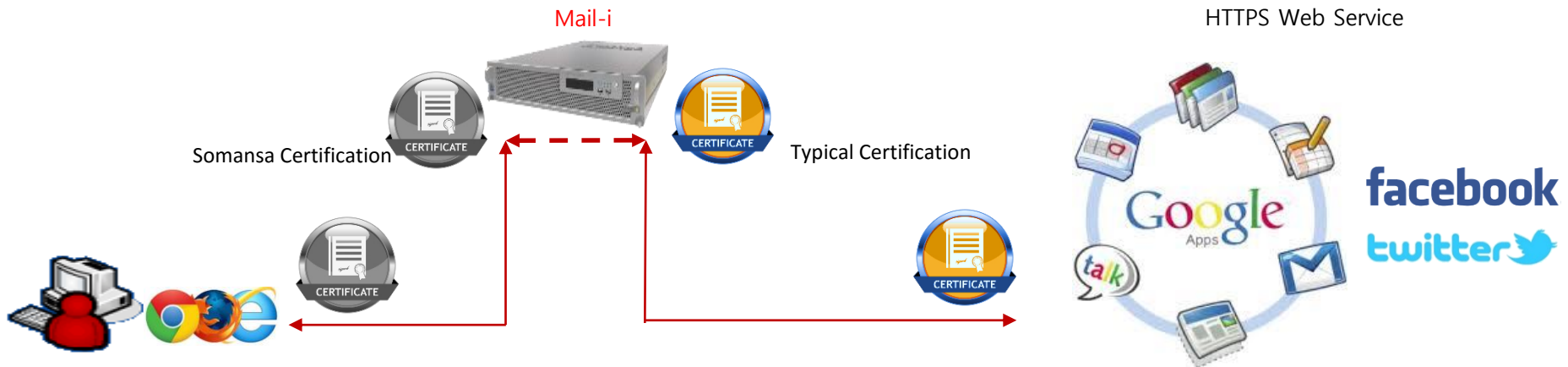


SOMANSA / The Mail-i



Simple Operating Mail-i (HTTPS)

Mail-i server encrypts between the users and web services.
It communicates with the SSL tunnel to web service site.
This requires a install of CA certificates to the user's PC.
Such communication is unknown to users.

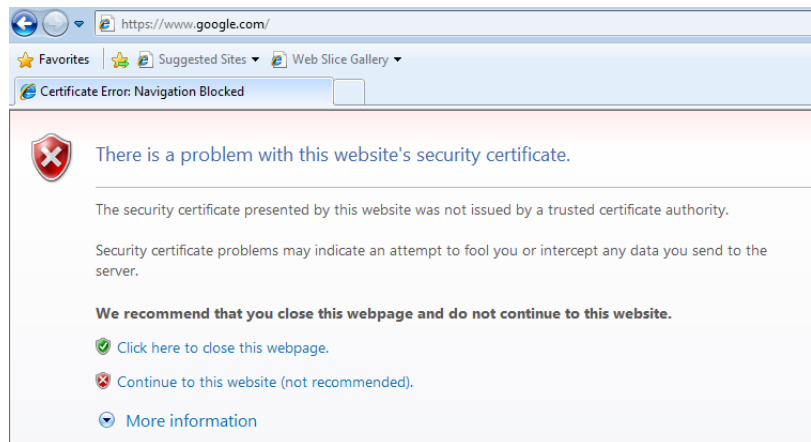


SOMANSA / The Mail-i

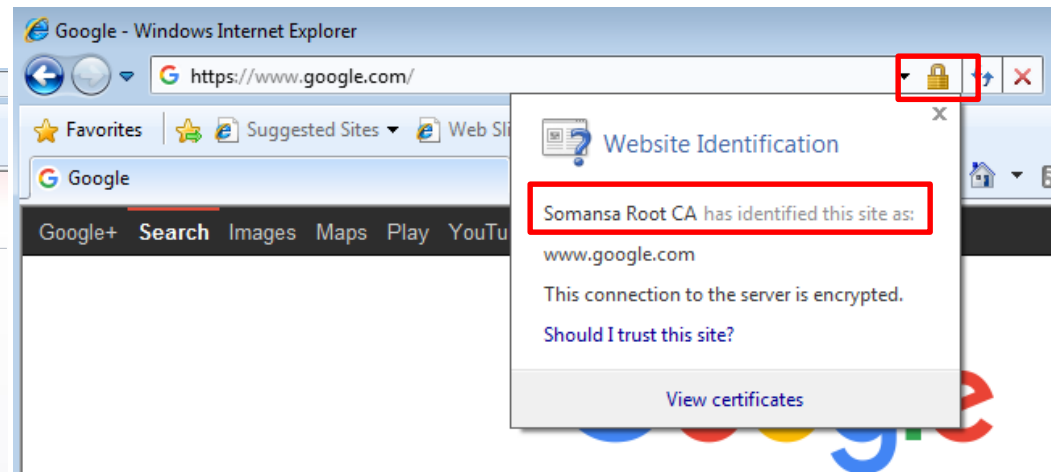


Simple Operating Mail-i (HTTPS)

Not install CA



Installed CA



SOMANSA / The Mail-i



Simple Operating Mail-i (HTTPS)

Transparent Proxy (as Inline mode)

Explicit Proxy

- This requires a install of CA certificates to the user's PC.
- Somansa provides silent installation files. (.exe)

The screenshot shows two windows from Windows Internet Options. The left window is the 'Internet Options' dialog, with the 'Certificates' tab selected. The right window is the 'Certificates' dialog, showing a list of installed certificates. The 'Somansa Root CA' certificate is highlighted in blue and enclosed in a red box. The table below shows the details of the certificates listed in the 'Trusted Root Certification Authorities' tab.

Issued To	Issued By	Expiration	Friendly Name
Microsoft Authentic...	Microsoft Authenticod...	1/1/2000	Microsoft Authe...
Microsoft Root Aut...	Microsoft Root Authority	12/31/2020	Microsoft Root A...
Microsoft Root Cert...	Microsoft Root Certifi...	5/10/2021	Microsoft Root C...
NO LIABILITY ACC...	NO LIABILITY ACCEP...	1/8/2004	VeriSign Time St...
Somansa Root CA	Somansa Root CA	11/26/2039	<None>
Thawte Premium Se...	Thawte Premium Serv...	1/1/2021	thawte
Thawte Timestampi...	Thawte Timestamping...	1/1/2021	Thawte Timesta...
VeriSign Class 3 Pu...	VeriSign Class 3 Public...	7/17/2036	VeriSign

SOMANSA / The Mail-i



Simple Operating Mail-i (HTTPS)

Explicit Proxy

- This requires a install of CA certificates **and config network setting** to the user's PC
- If you require, Somansa provides silent installation files (.exe)

The image shows three overlapping Windows dialog boxes illustrating network configuration steps:

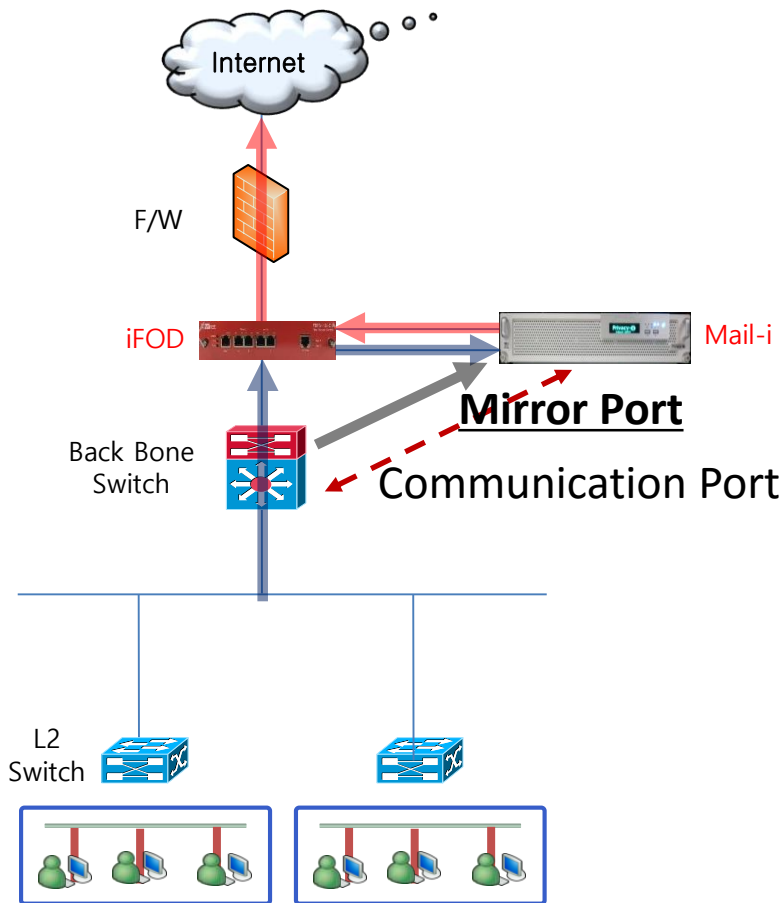
- Internet Options:** The 'Connections' tab is active. The 'LAN settings' button is highlighted with a red box.
- Local Area Network (LAN) Settings:** The 'Proxy server' section is visible. The 'Advanced' button is highlighted with a red box.
- Proxy Settings:** The 'Servers' section is visible. The 'Secure' proxy server entry is highlighted with a red box, showing the address '192.168.1.112' and port '13128'.

SOMANSA / The Mail-i

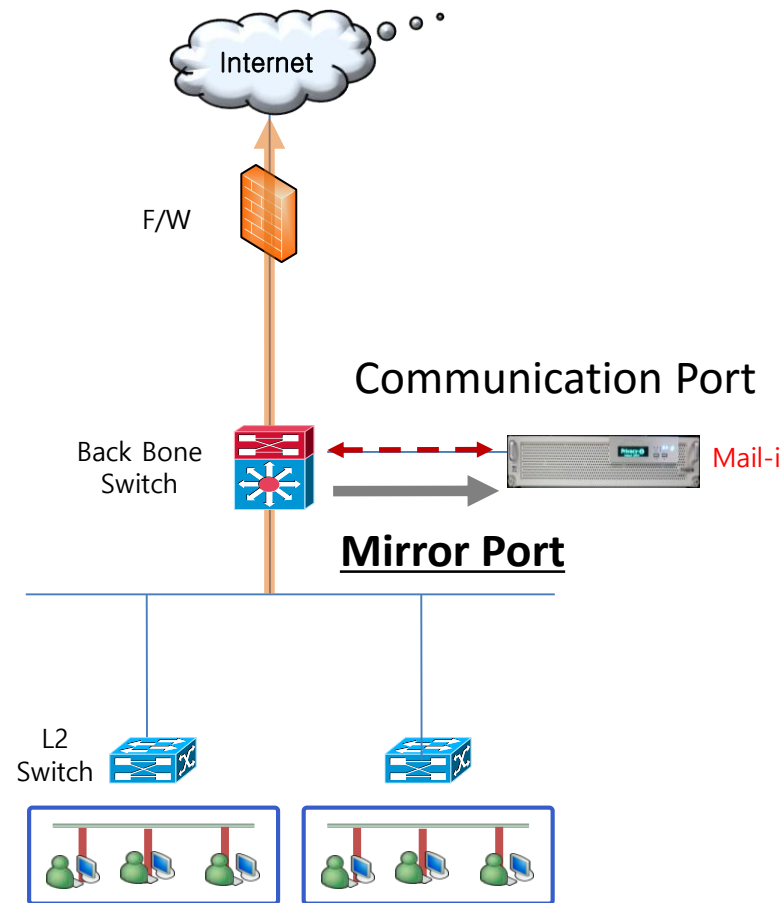


Simple Operating Mail-i (Hybrid : HTTP + HTTPS)

Transparent Proxy (as Inline mode)



Explicit Proxy





SOMANSA

www.somansatech.com